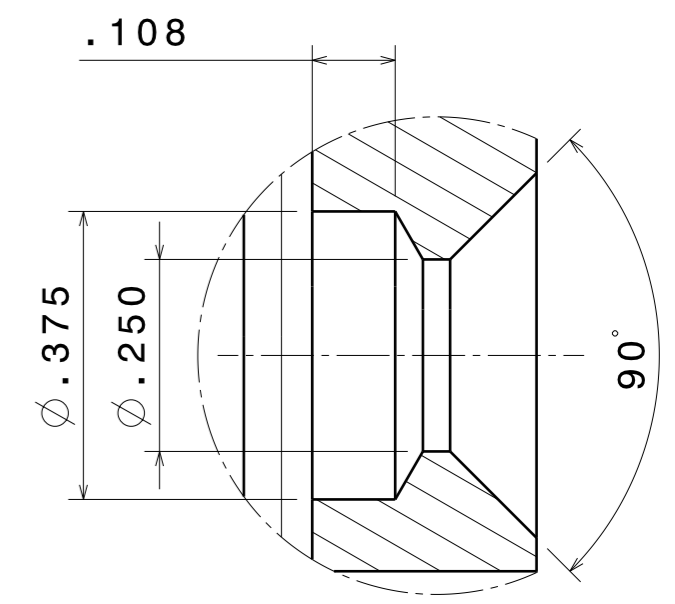


Section View A-A



Detail B  
Scale: 4:1

DESIGNED BY: <b>Rob Beck</b>		I	-
DATE: <b>23/11/2006</b>		H	-
CHECKED BY: <b>XXX</b>		G	-
DATE: <b>XXX</b>		F	-
SIZE: <b>A2</b>		E	-
SCALE: <b>1:1</b>	WEIGHT (kg): <b>5.78</b>	D	-
DRAWING NUMBER: <b>Modified Flywheel</b>		C	-
SHEET: <b>Flywheel parts</b>		B	-
SHEET: <b>1/1</b>		A	-

This drawing is our property; it can't be reproduced or communicated without our written agreement.