

D

C

B

A

4

4

3

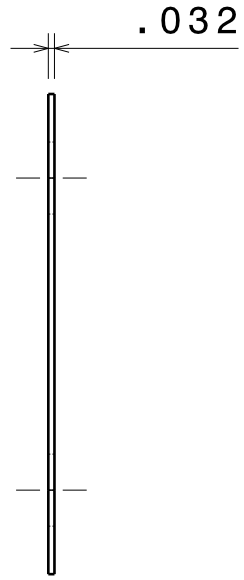
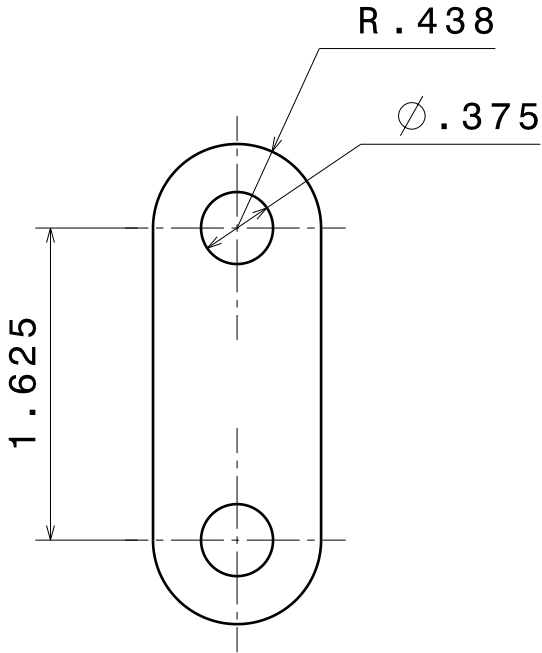
3

2

2

1

1



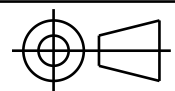
6 OFF

THIS PART SOURCED FROM A MINI CLUTCH AND MODIFIED TO LENGTH

DESIGNED BY:
Rob Beck
 DATE:
21/12/2006

CHECKED BY:
XXX
 DATE:
XXX

SIZE
A4



Modified Flywheel

SCALE
1:1

WEIGHT (kg)
XXX

DRAWING NUMBER
Spring Strap

SHEET
1/1

I	-
H	-
G	-
F	-
E	-
D	-
C	-
B	-
A	-

This drawing is our property; it can't be reproduced or communicated without our written agreement.

D

A