

D

C

B

A

4

4

3

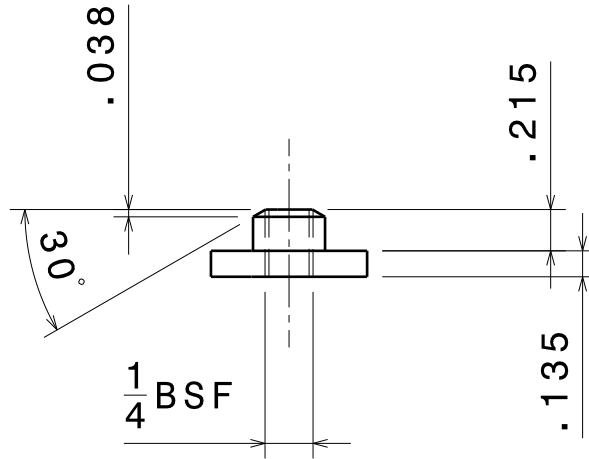
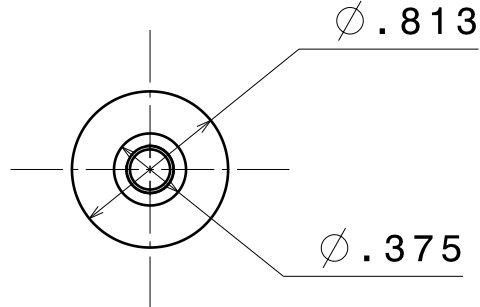
3

2

2

1

1



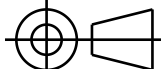
DESIGNED BY:
Rob Beck

DATE:
21/12/2006

CHECKED BY:
XXX

DATE:
XXX

SIZE
A4



Modified Flywheel

SCALE
1:1

WEIGHT (kg)
XXX

DRAWING NUMBER
Strap Fixing

SHEET
1/1

| | |
|---|---|
| I | - |
| H | - |
| G | - |
| F | - |
| E | - |
| D | - |
| C | - |
| B | - |
| A | - |

This drawing is our property; it can't be reproduced or communicated without our written agreement.

D

A